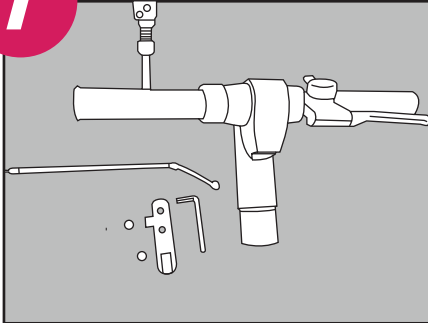


## ATTACHING THE HANDBRAKE

# GO TRAX GXL HANDBRAKE EDITION

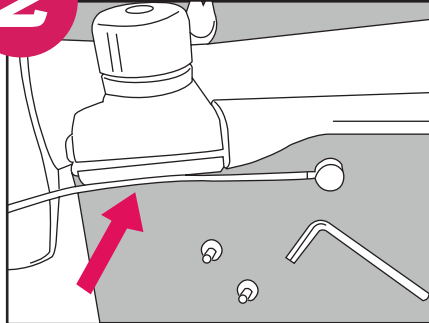
1



Tools you will need:

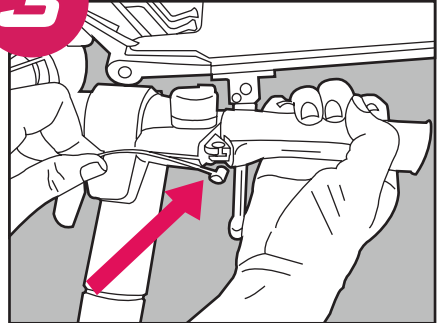
- 2 -4mm Screws\*
  - 4 mm Allen Key Wrench\*
- \*Included in the box

2



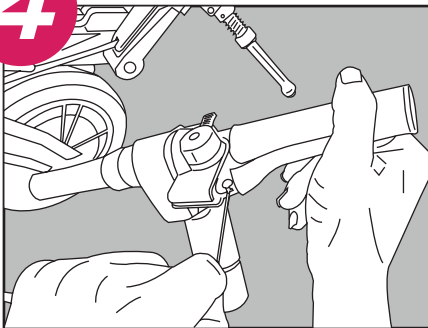
The brake line will be put into the crevasse on the bottom of the brake piece on the handle bar

3



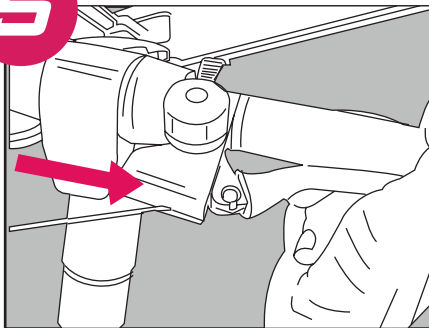
Press down brake lever to be able to insert the pin on the brake line.

4



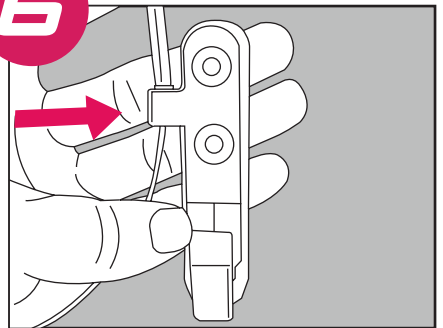
Lower brake line pin into hole in the brake lever.

5



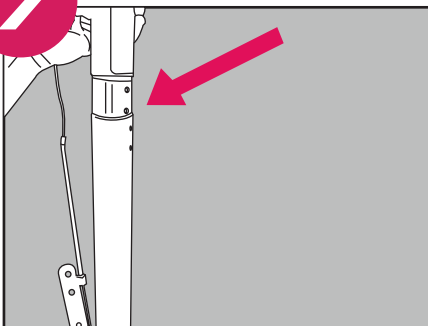
Pull brake cable into the crevasse to the left.

6



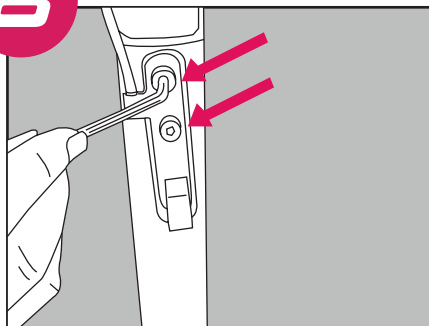
Line up brake line into the (Red) Hook attachment.

7



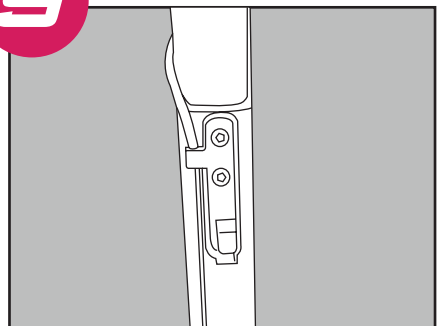
Attach the Console to the Tiller. (Line up the pins in the console to the pins on the battery.)

8



Tighten the (2) screws provided.

9



Secure the screws.